

# Rugby®

## SERIES 2000 PLATFORM BODIES



[www.rugbymfg.com](http://www.rugbymfg.com)



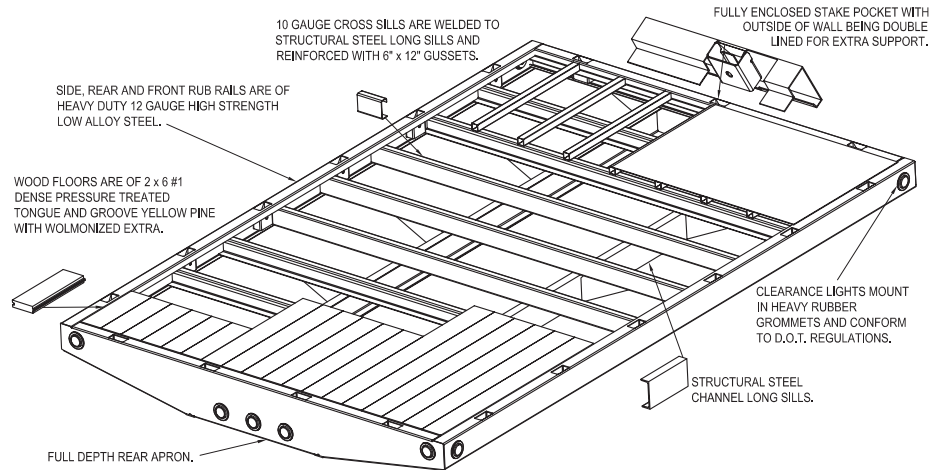
# SERIES 2000

## PLATFORM BODIES

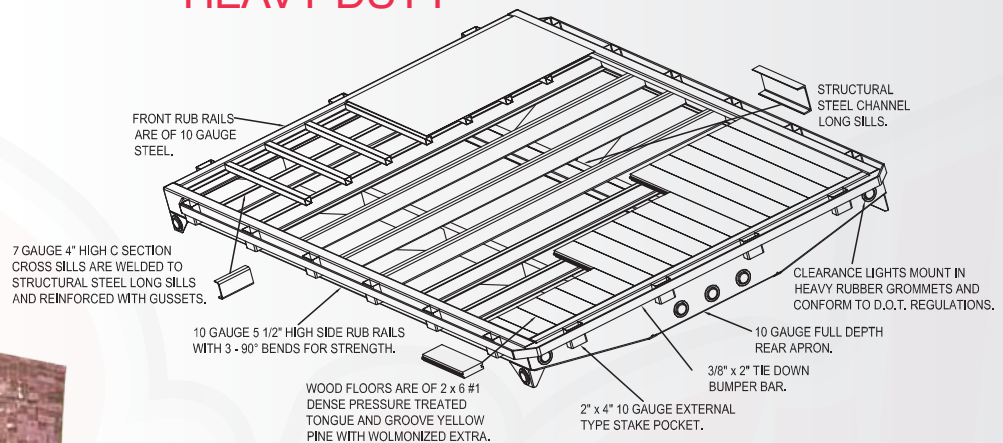
The Rugby® Platform and Stake Racks are built tough to meet your high standards. Available in 3 styles, standard duty with internal stake pockets, heavy duty with external stake pockets and tie down rails, and super heavy duty with a frame made almost entirely of structural channel, Rugby platform bodies are ready to work.

The Series 2000 Platforms come with high tensile steel rub rails, a full rear apron, and double-walled stake pockets to fit your needs. The Series 2000 line also includes an all structural Super Heavy Duty Platform, a Heavy Duty Bulkhead, and Contractor Sides. Series 2000 Platform Bodies offer superior construction economically, making them an ideal choice for a wide range of applications.

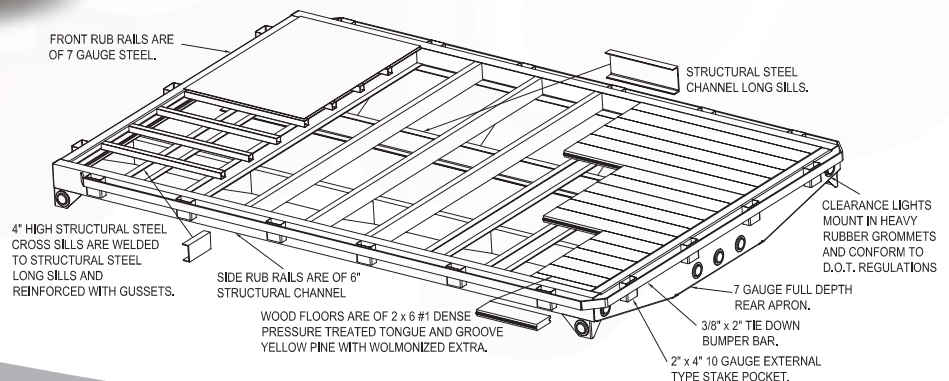
### STANDARD DUTY



### HEAVY DUTY



### SUPER HEAVY DUTY



The RUGBY S-2000 **STANDARD DUTY** PLATFORMS include fully enclosed stake pockets for greater stability, along with a full rear apron, and optional contractor sides.

Model	Length	Width	Structural Longsills	Wood Floor Approx. Weight Lbs.	Steel Floor Approx. Weight Lbs.	Tread Floor Approx. Weight Lbs.
I08	8' 4"	80"	3"	552	628	609
I09	9' 4"	87"	5"	772	885	862
I09	9' 4"	96"	5"	831	946	921
I10	10' 4"	87"	5"	834	958	933
I10	10' 4"	96"	5"	896	1022	994
I12	12' 4"	96"	6"	1128	1278	1244
I14	14' 4"	96"	6"	1322	1494	1454
I16	16' 4"	96"	6"	1484	1680	1634
I18	18' 4"	96"	7"	1740	1958	1907
I20	20' 4"	96"	9"	2062	2303	2247

The RUGBY S-2000 **HEAVY DUTY** PLATFORMS offer external stake pockets with an outside tie bar rail, and full rear apron.

Model	Length	Width	Structural Longsills	Wood Floor Approx. Weight Lbs.	Steel Floor Approx. Weight Lbs.	Tread Floor Approx. Weight Lbs.
E09	9' 4"	96"	5"	923	1024	1000
E10	10' 4"	96"	5"	993	1106	1079
E12	12' 4"	96"	6"	1242	1378	1346
E14	14' 4"	96"	6"	1418	1577	1540
E16	16' 4"	96"	7"	1682	1864	1822
E18	18' 4"	96"	7"	1868	2073	2025
E20	20' 4"	96"	9"	2233	2461	2408
E22	22' 4"	96"	9"	2433	2684	2626
E24	24' 4"	96"	9"	2664	2939	2875

The S-2000 **SUPER HEAVY DUTY**. This all-structural Platform is rugged and tough enough to meet all your Super Heavy Duty needs.

Model	Length	Width	Structural Longsills	Wood Floor Approx. Weight Lbs.	Steel Floor Approx. Weight Lbs.	Tread Floor Approx. Weight Lbs.
H12	12' 4"	96"	6"	1568	1710	1677
H14	14' 4"	96"	6"	1813	1978	1940
H16	16' 4"	96"	7"	2113	2300	2257
H18	18' 4"	96"	7"	2364	2575	2526
H20	20' 4"	96"	9"	2766	2999	2945
H22	22' 4"	96"	9"	3032	3288	3228
H24	24' 4"	96"	9"	3297	3577	3512

# SERIES 2000

## BULKHEADS

Rugby offers a wide variety of Bulkheads for our Series 2000 Platforms. Shown below are the various styles offered, along with the sizes available for each.

We also offer a stake rack adapter kit so that our Stake Racks may be used with our Bulkheads.

Rugby Bulkheads are powder coated black to provide you with a superior finish. Salt spray tests show that powder coating provides better corrosion protection than any prime paint finish in the industry.

### Drop-In Bulkhead for Standard and Heavy Duty Platforms

Sizes Available

36" x 80"

42" x 87"

42" x 96"

52" x 96"

### Weld-On Knee-Braced Bulkhead for Standard Duty Platforms

Sizes Available

42" x 96"

52" x 96"

### Tapered Weld-On-Knee Braced Bulkhead for Standard Duty Platforms

Sizes Available

42" x 96"

*Not Recommended with Stake Racks*

### Weld-On-Knee Braced Bulkhead for Heavy and Super Heavy Duty Platforms

Sizes Available

42" x 96"

52" x 96"

*Not Recommended with Stake Racks*

## STAKE RACKS

### Intelligent Design

Rugby stake racks are designed to fit your needs! Upper latching mechanisms are positioned on the second slat for easier use, and a dimpled keeper prevents the latches from opening while travelling.

The hand release for spring-loaded catch for lower latching mechanisms is positioned on the side of the stake rack to allow for easier access. This makes for fast and easy installation or removal of stake rack sections.

### Added Versatility

The versatility of Rugby stake racks allows you to order your standard combination of side and rear racks, or order any combination of 4-, 5-, or 6-foot side sections to match your platform length. Bulkhead or front rack section options are available. In addition, an available conversion kit allows Rugby stake racks to swing out. All of these features together make the most versatile stake racks on the market.

Rugby Stake Racks are POWDER COATED black to provide you with a superior finish. Salt spray tests show that powder coating provides better corrosion protection than any prime paint finish in the industry.

### Commitment to Quality

Today's marketplace demands quality products and competitive pricing. We work hard at Rugby to comply with your needs. Our reputation since 1969 has been one of quality production and we won't change. You deserve and demand what we are committed to, the best.



**RUGBY MANUFACTURING**

Rugby, ND • 701-776-5722 • FAX 701-776-6235

www.rugbymfg.com • E-mail sales@rugbymfg.com

a  **TBEI** company  
TRUCK BODIES & EQUIPMENT INTERNATIONAL, Inc.

**Sold by:**